

Fanless Embedded BOXPC

Embedded computer featured robust housing with Intel® Atom™ fanless for the space-limited space applications.

BOXPC 65



Cost-effective
POS solution



Wireless LAN support



Ultra Small Foot Print
with optional vertical stand

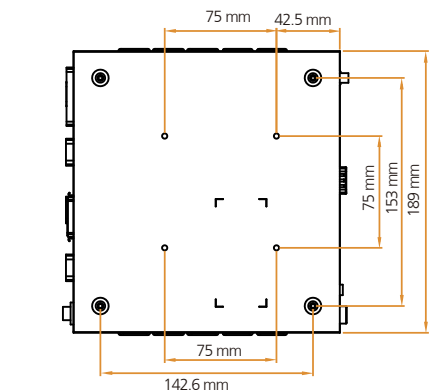
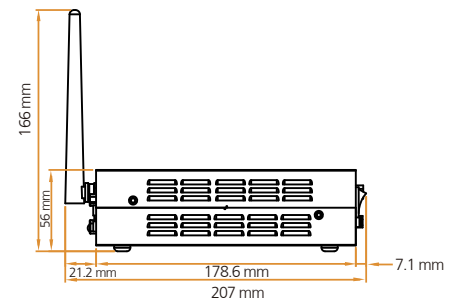
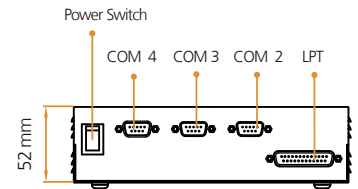
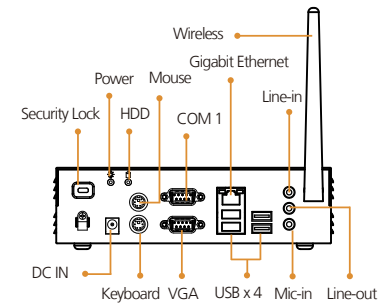


Support VESA Mounting

Specifications

Model Name	BOXPC 65	
Main Board	CPU	Intel® Atom™ Processor N270 1.6GHz
	Core Logic	Intel 945GSE / ICH7-M
	System Memory	SO-DIMM DDR2, 512MB up to 2GB
	OS Support	Windows XP / XPe, WEPOS, POSReady, Linux*
Storage Device	HDD	2.5" HDD Drive Bay
I/O Ports	Serial	4 x RS-232 COM 1 : RS232/422/485 DB-9, Pin9 w/ RI/5V/12V jumper selected COM 2 / 3 / 4 : RS232 DB-9, Pin9 w/ RI/5V/12V jumper selected
	PS/2 Keyboard	1 x Mini-DIN
	PS/2 Mouse	1 x Mini-DIN
	Parallel	1 x DB-25
	USB	4 x USB 2.0
	LAN	1 x Gigabit Ethernet by RJ-45 , Support Wake on LAN
	Audio	Line-in, Line-out and Mic-in
	VGA	DB-15
	Expansion	1 x Mini PCI, optional wireless LAN module
	Wall Mount	Support VESA Mount
Others	Power Input	External Adapter, 60W, 12VDC Input
	Color	Black
	EMC & Safety Compliance	FCC / CE / WEEE / RoHS / CCC
	Weight	1.43 kgs
	Dimension	189 W x 179 D x 52 H mm
	Operating Temperature	0°C ~ 40°C
	Storage Temperature	-20°C ~ 60°C
Humidity	20% - 80% RH, non-condensing	

* Please contact supplier for detail information.



VESA Standard

Ordering information

Main Unit

Part No.	Description
BPC65-B-A16G	Fanless BOXPC 65 w/ Intel® ATOM™ N270 1.6GHz CPU

Optional Accessories

Part No.	Description
A0400614	Wireless LAN 802.11 WIFI module Antenna
20200023	2.5" Slim Type HD: 160GB SATA Type
20300021	Memory: DDR2-667, 512MB, 200Pin SO-DIMM, non-ECC
20300022	Memory: DDR2-667, 1GB, 200Pin SO-DIMM, non-ECC
20300024	Memory: DDR2-667, 2GB, 200Pin SO-DIMM, non-ECC
20900001	OS License: Windows XP Professional, English Version
20900002	OS License: WEPOS, English Version
20900021	OS License: Windows Embedded POSReady, English Version
A0400696	Wall Mount Kits
A0400847	Vertical Stand

Specifications are subject to change without notice. Issue Date: 2010 / 01

EBN
EBN Technology Corp.

EBN Technology Corp.

10F, No. 90, Sec. 1, Sintai 5th Rd., Sijhih City,
Taipei County 221, Taiwan
TEL : +886-2-2696 9292
FAX : +886-2-2696 9393
E-mail : sales@ebn-pos.com
www.ebn-pos.com